

ONKRON
MEDICAL

**MOBILE MEDICAL INFORMATIZATION
WORKSTATION SOLUTION**
FROM TAIWAN \ ERGONOMIC DESIGN



ALL BASED ON CREATING CUSTOMER VALUE

FROM TAIWAN \ ERGONOMIC DESIGN
MOBILE MEDICAL WORKSTATION PROFESSIONAL
DESIGN MANUFACTURER

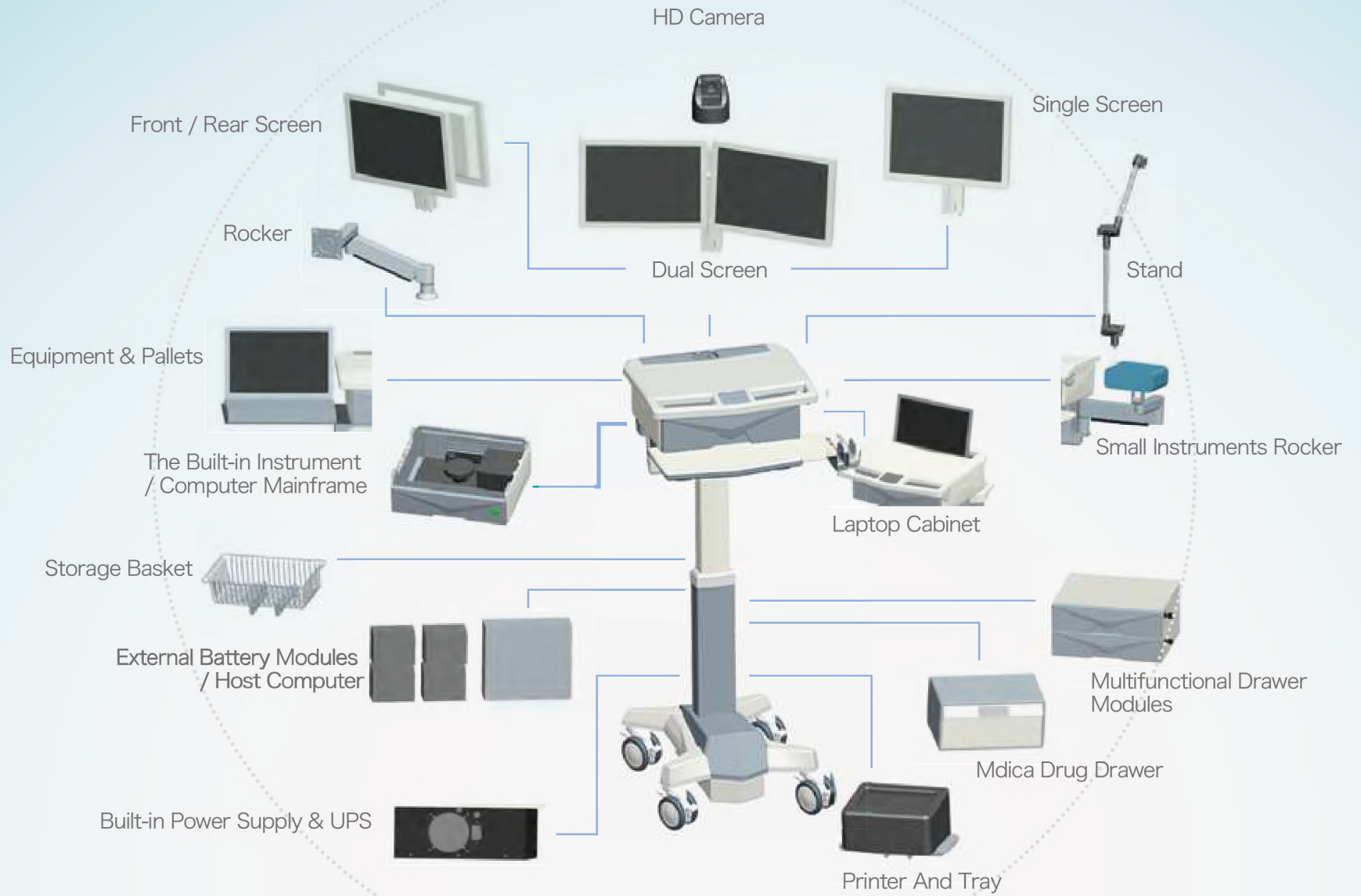




MOBILE MEDICAL INFORMATIZATION CART SOLUTION

Contents

P06 \	Mobile Patient Rounds Workstation
P07 \	Mobile Nursing Rounds Workstation
P08 \	Mobile Delivery Workstation
P09 \	Mobile Bedside Billing Workstation
P10 \	Mobile Nurse Treatment Workstation
P11 \	Lift Study Desk
P12 \	Multi-Functional Nurse Treatment Workstation
P13 \	Mobile Medical Visit Workstation
P14 \	All-in-one Computer Workstation
P15 \	Laptop Workstation
P16 \	All-in-one Computer Workstation
P17 \	Simple All-in-one Computer Workstation A
P18 \	Simple All-in-one Computer Workstation B
P19 \	Simple Laptop Workstation
P20 \	Laptop Workstation
P21 \	Device Workstation
P22 \	HD Video Workstation
P23 \	Telemedicine System Workstation
P24 \	Operating Room Teaching Workstation
P25-26 \	Endoscopic System Workstation
P27 \	New Endoscopic System Workstation
P28 \	Small Medical Equipment Workstation
P29 \	Patient Monitor Workstation
P30 \	Portable Plug Type Lithium Battery
P32 \	Customized Reform For Medical Workstation
P34 \	Cantilever Bracket Series
P36 \	All-in-one Computer With Battery
P37-P38 \	Optional Accessory
P39 \	Bench Support Series





1



2



3



4



5



6



7



8



9

- 1/ ALL-IN-ONE COMPUTER CART
- 2/ DOSSIER ALL-IN-ONE PC CART
- 3/ HD IMAGING WORKSTATION
- 4/ RACKET
- 5/ NURSE/ TREATMENT CART
- 6/ LAPTOP CART
- 7/ TELEMEDICINE SYSTEM CART
- 8/ MEDICATION CART
- 9/ LCD & LAPTOP LIFT STAND

NEW

Mobile Patient Rounds Workstation

Height adjustment range 250 ± 10 mm,
loading capacity ≤ 10 Kg

Cart body height: 1170mm—1420mm

Height of Tabletop: 785mm-1035mm, Two optional control modes, by the foot pedal or the handle control to operate up and down

Durable ABS plastic tabletop, size: 490mm(L) x 460mm(W), the middle of the table can be opened for placing mini pc

Monitor bracket size: 386mm(L) x 80mm(W) x 64.5mm(H), built-in constant lift structure, light and convenient, display rack hi-low range: 130mm , rack can be tilted 20° , proposed size of display ≤ 22 inch or all-in-one machine, recommended load ≤ 10 Kg

Bi-directional retractable mouse tray, both working by left and right hand,

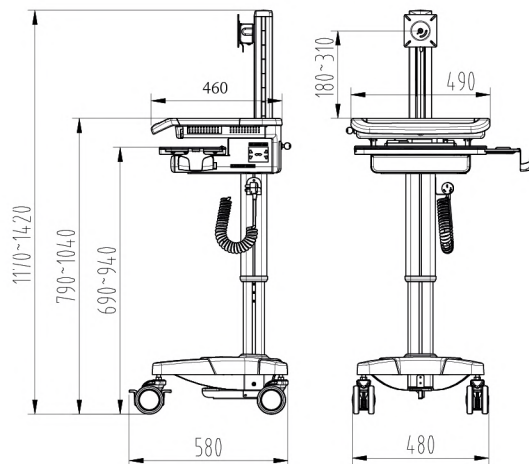
Keyboard tray size: 465mm(L) x 234mm(W)

The bottom of the tabletop reserved position for built-in battery and inverter, charger.

Portable plug-in high-performance lithium battery power supply system (with LED keyboard lights), provide uninterruptible power for equipment or computer, safe, reliable and convenient

Casters: dual wheel casters for medical use, mute and smooth, the front two casters equipped with double pedal and total lock, 360 degrees brake control, rear followed by two free casters

Base: ABS plastic shell, stability, easy to clean and maintain, high-strength metal structure base frame, strong load capacity and stability, the base integrated with foot pedal to control height adjustment



NEW

Mobile Nursing Rounds Workstation

Height adjustment range $250 \pm 10\text{mm}$, loading capacity $\leq 10\text{Kg}$

Cart body height: 1170mm—1420mm

Height of Tabletop: 785mm-1035mm, Two optional control modes, by the foot pedal or the handle control to operate up and down

Durable ABS plastic tabletop, size: 490mm(L) x 460mm(W), the middle of the table can be opened for placing mini pc

Monitor bracket : built-in constant lift structure, light and convenient, display rack hi-low range: 130mm , rack can be tilted 20° , proposed size of display ≤ 22 inch or all-in-one machine, recommended load $\leq 10\text{Kg}$ Bi-directional retractable mouse tray, both working by left and right hand,

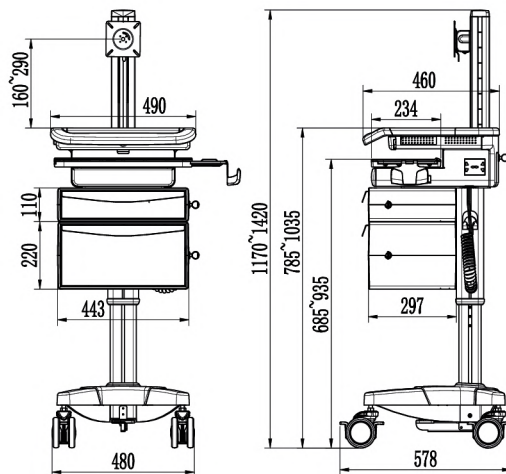
The bottom of the tabletop reserved position for built-in battery and inverter, charger.

Portable plug-in high-performance lithium battery power supply system (with LED keyboard lights), provide uninterruptible power for equipment or computer, safe, reliable and convenient.

Double drawer to meet the requirements of general care, The first is 110 mm (H) and the second is 220 mm (H)

Casters: dual wheel casters for medical use, with double pedal and total lock, 360 degrees brake control

Base: ABS plastic shell, stability, easy to clean and maintain, high-strength metal structure base frame, strong load capacity and stability, the base integrated with foot pedal to control height adjustment



NEW Mobile Delivery Workstation

Cart body height:1380mm,height of tabletop:1000mm,Durable ABS plastic tabletop,size:490mm(L) x 462mm(W),the middle of table can be opened for.

Monitor bracket:built-in constant lift structure,light and convenient,display rack hi-low range:130mm,rack can be title 20°,proposed all-in-one machine,recommended load $\leq 10\text{kg}$ Bi-directional retractable mouse tray, both working by left and right hand,

The bottom of the tabletop reserved position for built-in battery and inverter,charger.

The cart body is equipped with four-storey chain drawer and concealed handle design to meet the storage requirements of large capacity nursing.

The first drawer size:343mm(L)X330mm(W)X76(H)

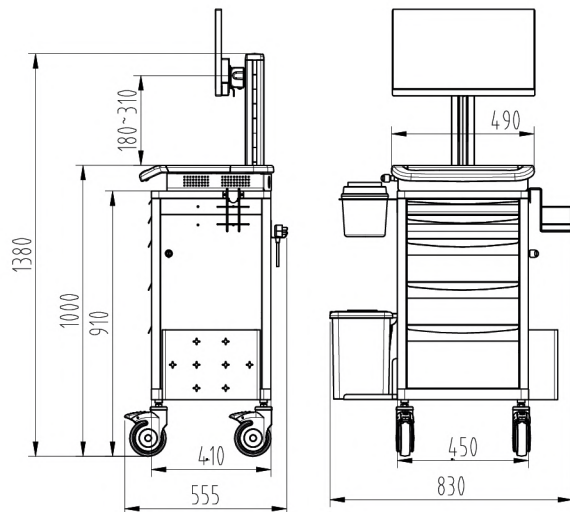
The second drawer size:343mm(L)X330mm(W)X210(H)

The third and fourth drawer size:343mm(L)X330mm(W)X140mm(H)

The fifth drawer size:343mm(L)X330mm(W)X210mm(H)

Equipped with two 6.5L pedal sorting trash cans, 3L sharps box, hand elimination liquid hangers and Storage box

Casters: single wheel casters for medical use, smooth and stable.



NEW

Mobile Bedside Billing Workstation

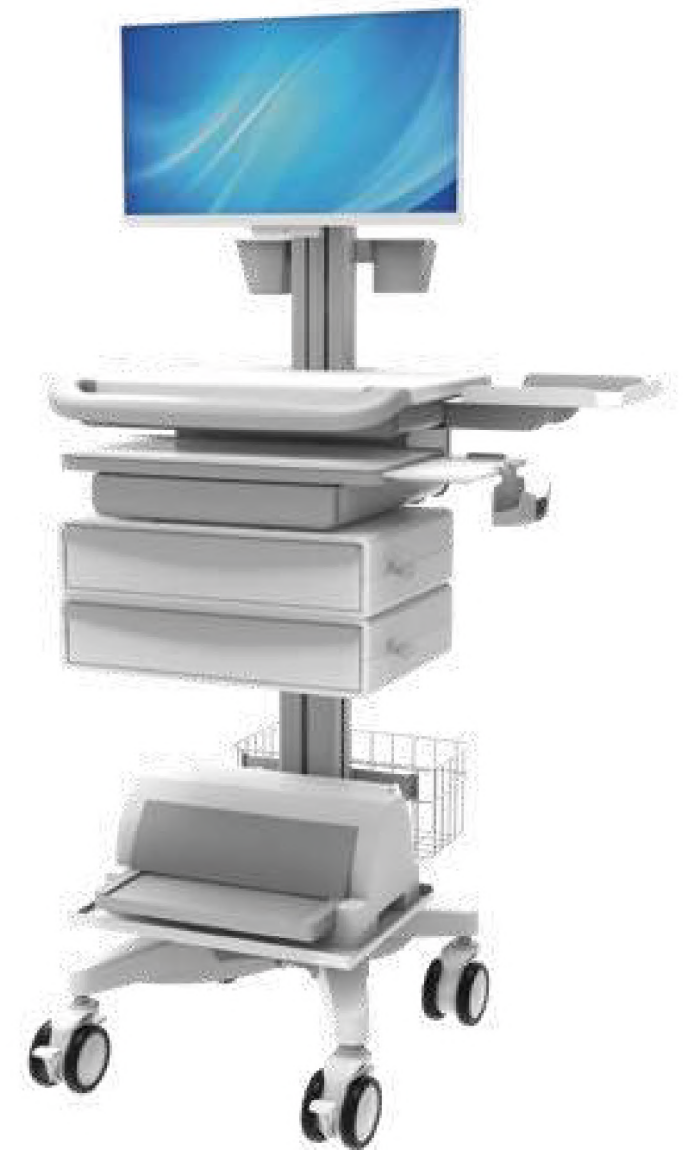
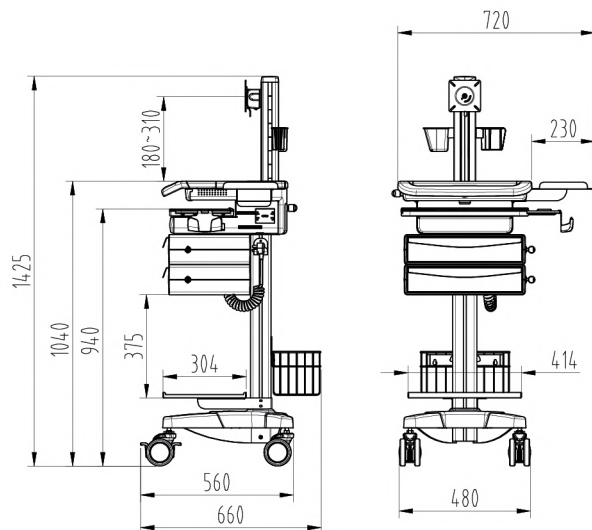
Designed for charging, it is equipped with tray of money checker, POS frame, printer tray, printing paper basket, etc., two-layer locked drawer. It can meet the charging requirements. Monitor bracket: built-in constant lift structure, light and convenient, proposed size of display ≤ 22 inch or all-in-one machine, recommended load $\leq 10\text{Kg}$

With hidden metal keyboard bracket, rotating hidden mouse tray, and mouse bracket

A mini computer host can be built under the counter, and the portable plug-in type lithium battery power supply system can be built to fully meet the demand for mobile charging. Base: ABS plastic shell, easy to clean and maintain, high-strength metal structure base frame

Casters: Double wheel casters for medical use, smooth and stable.

* The hardware configuration of the above series of cart systems can be configured according to customer requirements.



Mobile Nurse Treatment Workstation

Height adjustment range for worksurface: $360 \pm 20\text{mm}$,

Lifting load $\leq 10\text{kg}$

Worksurface height: $750\text{-}1135\text{mm}$ ($\pm 20\text{mm}$)

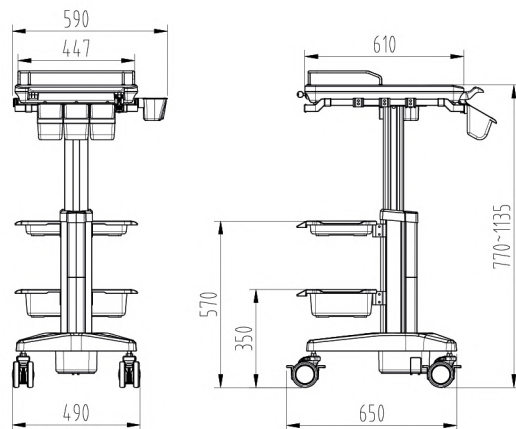
Worksurface dimensions: $610\text{mm(L)} \times 447\text{mm(W)}$

There is a small laptop ($\leq 14"$) cabinet which is lockable with 2 keys 2 big storage trays with different depth.

Dimensions: $469.5\text{mm(L)} \times 306\text{mm(W)}$

Fence with hangers(include 3 small pockets,a scanner gun holder,a gel cup)

Silent medical casters



Lifting study desk

Equipped with a foot-step lifting structure to adjust the operating height.

A storage basket under the desk for placing school supplies etc.

Support tablet, mobile phone etc and place water cup

Desktop size: 561 (W) x 603 (D) x 25 (H) mm Optional: wood color / white Load capacity: 70Kg Net weight: 23.5Kg

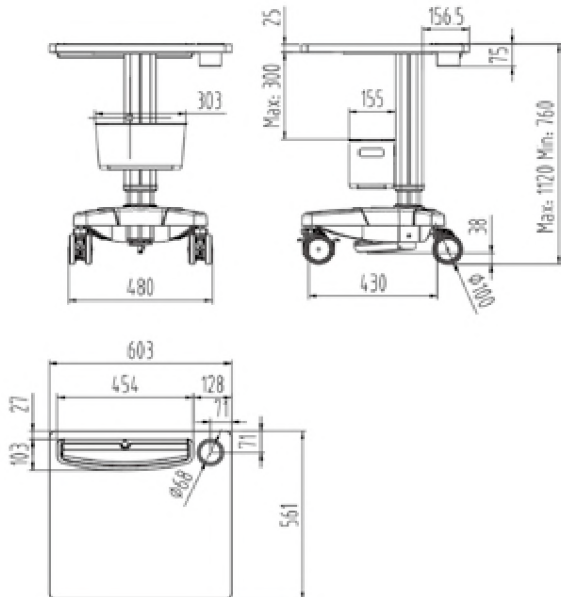
Operating height: 760-1120mm

Storage basket size: 275 (W) x 150 (D) x 150 (H) mm Color: white

Storage cup size: $\Phi 68$ x H73mm Color: black

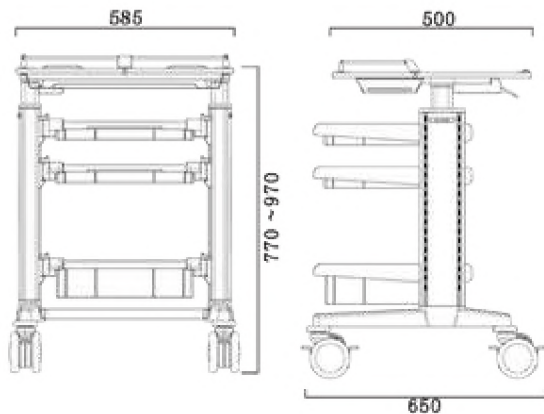
Casters: dual wheel casters for medical use, mute and smooth, the front two casters equipped with double pedal and total lock, 360degree brake control, rear followed by two free casters.

Application scenario: Offices, schools, exhibitions, conference rooms etc.



Multi-functional Medication Workstation

- Air spring lift, handle easily adjusted, The cart body column using aluminum alloy spray paint, light and strong corrosion resistance. The column on both sides with the installation slot, convenient suspension related accessories.
- Worktable height: 770mm~970mm, dimension: 585mm(L) × 500mm(W), with barrier. 16mm CNC compact panel table, durable and easy-to-clean, Proposal Table load $\leq 10\text{kg}$
- Multilayer Depth & shallow tray design, standard with 1 Depth and 2 shallow tray, the tray can be taken out directly, and it can be matched by requirement.
- Column color: blue, pink, green, orange
- Dual wheel casters for medical use, mute and smooth, 360 degrees brake control

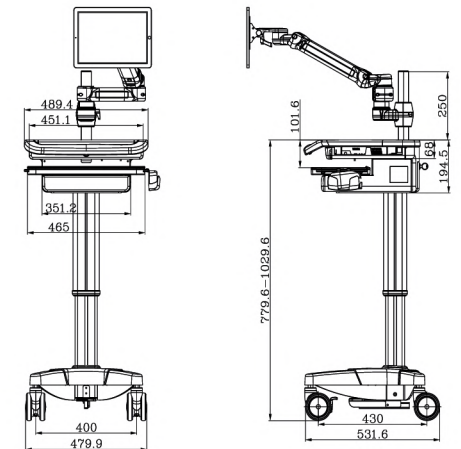
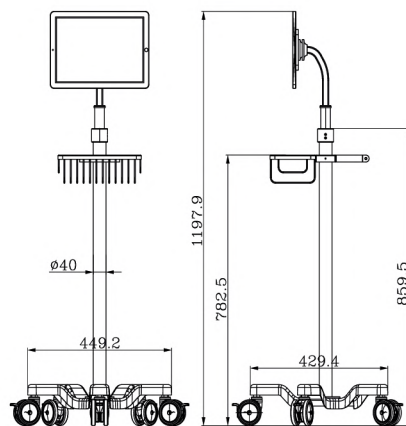


Mobile Medical Visit Workstation

A-external terminal: Metal five-legged base + lifting tube structure with manual ad-justable height, with handle and basket for storage of terminal charging adapter, The screen can rotate and tilt up and down to meet the requirements of different heights and perspectives.

B-internal terminal: Height adjustment range $250 \pm 10\text{mm}$, loading capacity $\leq 10\text{Kg}$. ABS mesa, the table is equipped with pipe clamped cantilever bracket. The visiting terminal can realize the function of up and down adjustment and left and right rotation. The drawer can be used to meet the needs of wards. Base: SPCC (steel plate) + ABS cover.

* The visiting terminal can select different size IOS (Apple System) or Android (Android System) tablet touch computer according to customer' s needs.



All-in-One Computer Workstation

Height adjustment range $250 \pm 10\text{mm}$, loading capacity $\leq 10\text{Kg}$

Cart body height: 1150mm—1400mm

Height of Tabletop: 760mm-1010mm, Two optional control modes, by the foot pedal or the handle control to operate up and down

Durable ABS plastic tabletop, size: 490mm(L) x 460mm(W), the middle of the table can be opened for placing mini pc

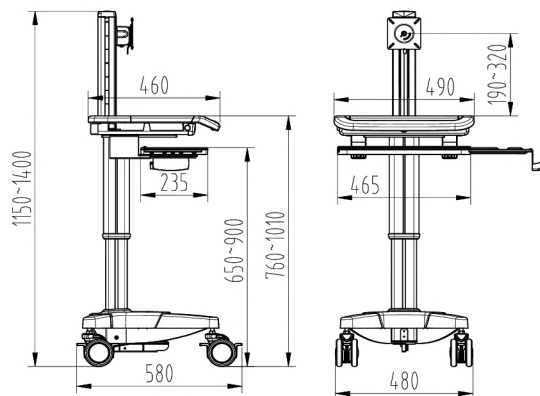
Monitor bracket size: 386mm(L) x 80mm(W) x 64.5mm(H), built-in constant lift structure, light and convenient, display rack hi-low range: 130mm, rack can be tilted 20°, pro-posed size of display ≤ 22 inch or all-in-one machine, recommended load $\leq 10\text{Kg}$

Bi-directional retractable mouse tray, both working by left and right hand,

Keyboard tray size: 465mm(L) x 235mm(W)

Casters: dual wheel casters for medical use, mute and smooth

Base: ABS plastic shell, stability, easy to clean and maintain, high-strength metal structure base frame, strong load capacity and stability, the base integrated with foot pedal to control height adjustment



Laptop Workstation

Height adjustment range $250 \pm 10\text{mm}$, loading capacity $\leq 12\text{Kg}$

Height of Tabletop: 760mm-1010mm, Two optional control modes, by the foot pedal or the handle control to operate up and down

Durable ABS plastic tabletop, size: 490mm(L) x 460mm(W), the middle of the table can be opened for placing the laptop. Optional tabletop material: the top of the table can be embedded in stain-less steel panel, wear-resistant and easy to clean, strong metallic

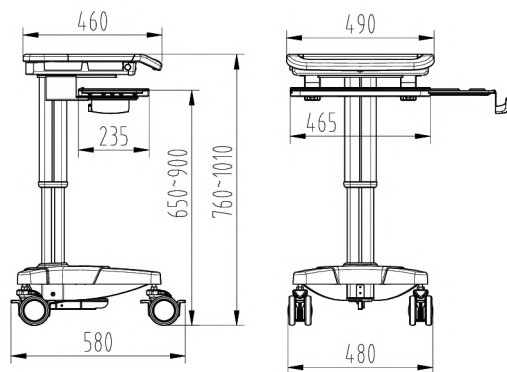
Hidden laptop compartment, size: 417mm(L) x 263mm(W) x 50mm(H), can be placed laptop of 17-inch and below, laptop compartment with lock security

Bi-directional retractable mouse tray, both working by left and right hand,

Keyboard tray size: 465mm(L) x 235mm(W)

Optional: Portable plug-in high-performance lithium battery power supply system (with LED keyboard lights), provide uninterruptible power for equipment or computer, safe, reliable and convenient

Casters: dual wheel casters for medical use, mute and smooth, the front two casters equipped with double pedal and total lock, 360 degrees brake control, rear followed by two free casters Base: ABS plastic shell, stability, easy to clean and maintain, high-strength metal structure base frame, strong load capacity and stability, the base integrated with foot pedal to control height adjustment



All-in-One Computer Workstation

Height adjustment range for LCD and worksurface: 360mm±20mm, Lifting load ≤ 10kg

Worksurface height: 870mm-1235mm

Large, smooth ABS worksurface dimensions: 533mm(L) x 455mm (W), Proposal Table load ≤ 5kg

Drawer inner dimensions: 379mm(L) x 298.5mm(W) x 84mm(H)

Keyboard tray dimensions: 440mm(L) x 256mm(W)

Mouse tray dimension: 208mm(L) x 200mm(W)

Storage Bin with handle

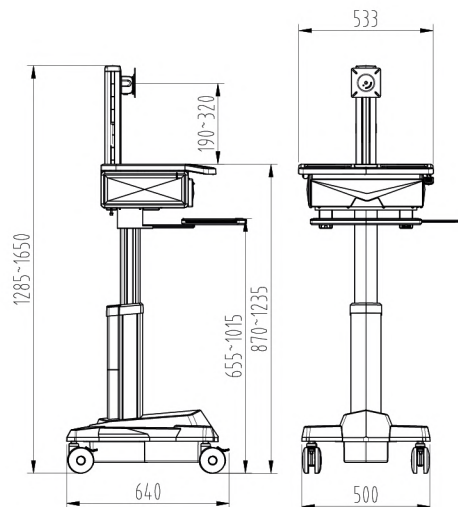
LCD column dimensions: 386mm(L) x 80mm(W) x 64.5mm(H)

Height adjustable with the help of internal lift construction.

LCD hanger: height adjustment for LCD pivot is 13cm; 20° tilting for LCD;

Applied for ≤ 22 inch LCD display. Proposal load ≤ 10kg

Front-locking silent casters, White LEDs provide light over keyboard tray Battery and UPS system inside the base



Simple All-in-One Computer Workstation A

Concise and compact for 22" All-in-One computer, Proposal load ≤ 12 kg

Keyboard/mouse tray height: 776mm

Keyboard tray dimensions: 440mm(L) x 255mm(W)

Mouse tray dimension: 208mm(L) x 200mm(W)

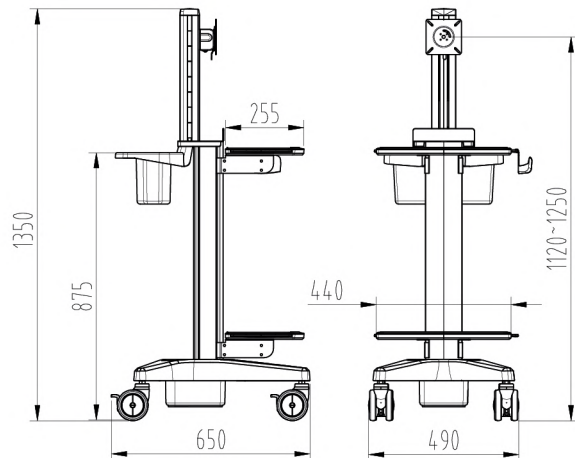
Back storage bin with handle, handle height: 790.6mm

Printer tray dimensions: 310mm(L) x 199mm(W), height 297.6mm

Cart dimensions: 648.3mm(L) x 489.5mm(W) x 1260.5mm(H), Built in power line

Built in power line

Silent medical casters



Simple All-in-One Computer Workstation B

Concise and compact,height adjustment range for worksurface:

360±20mm,lifting load≤10Kg

LCD column dimension: 386mm(L) X 80mm(W) X 64.5mm(H),height adjustable with the help of internal lift construction.Applied for 22 inch LCD display, proposal load≤12Kg

Large,smooth ABS worksurface dimension:530mm(L) X 455mm(W), worksurface height:750mm-1135mm, Can be customized built-in mini computer host

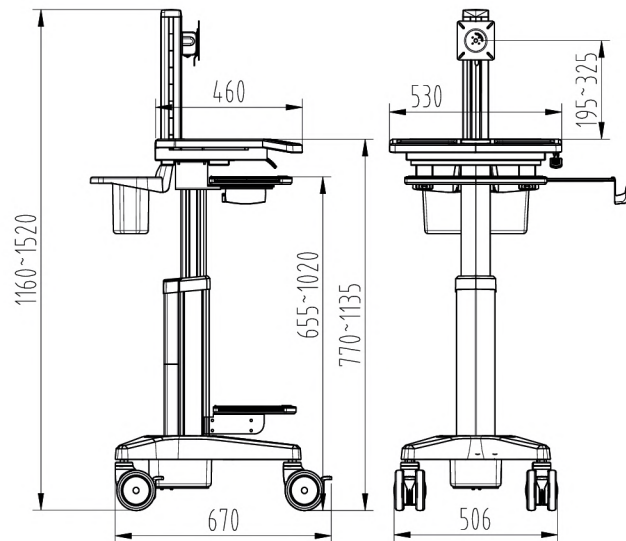
Keyboard tray dimension:440mm(L) X 256mm(W)

Mouse tray dimension:208mm(L) X 200mm(W)

Storage Bin with handle

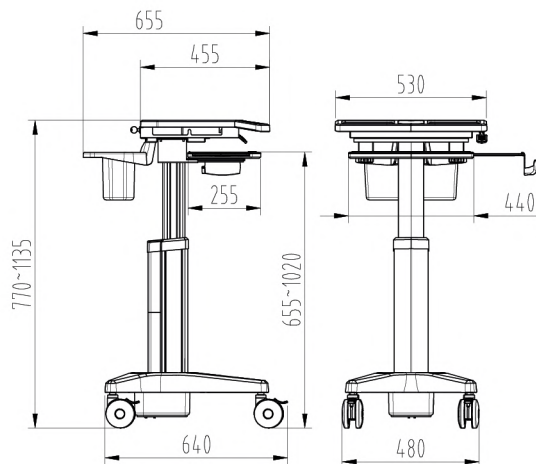
Optional Built in power line

Silent medical casters



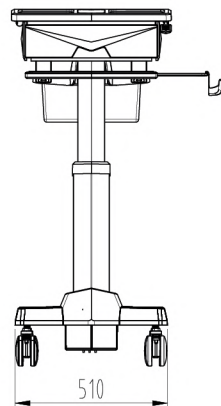
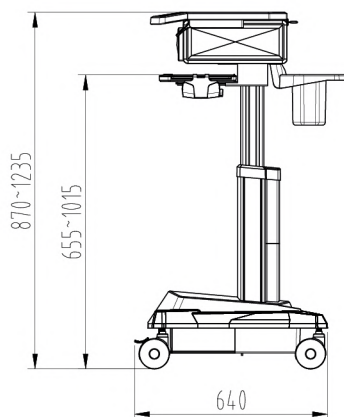
Simple Laptop Workstation

Height adjustment range for worksurface: 360 ± 20 mm
worksurface height: 770mm-1135mm, lifting load ≤ 10 Kg
Large, smooth ABS worksurface dimension: 533mm(L) \times 455mm(W)
Laptop cabinet dimension: 430mm(L) \times 346mm(W) \times 56.5mm(H)
Applied for ≤ 15 inch laptop
Optional rotary keyboard tray,
keyboard tray dimension: 440mm(L) \times 255mm(W)
Mouse tray dimension: 208mm(L) \times 200mm(W)
Silent medical casters



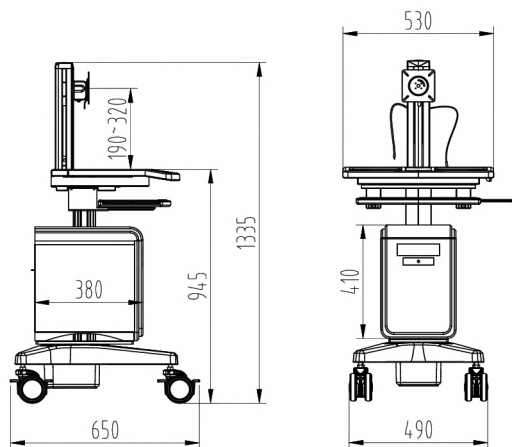
Laptop Workstation

Height adjustment range for worksurface: 360 ± 20 mm, Lifting load ≤ 10 kg, Worksurface height 870mm-1235mm
Large, smooth ABS worksurface dimensions: 533mm(L) x 455mm (W) Laptop cabinet dimensions: 430mm(L) x 346mm(W) x 56.5mm(H)
With external 2-Outlet power strip and main power cable at the cart base. Applied for laptop (≤ 15 "")
Internal dimensions for drawer: 379mm(L) x 298.5mm(W) x 84mm(H) Keyboard tray dimensions: 440mm(L) x 256mm(W)
Mouse tray dimension: 208mm(L) x 200mm(W)
Silent medical casters



Workstation

- Big capacity box for lots of workstation device
- Large, smooth ABS worksurface dimensions: 533mm(L) x 455mm (W),
- Proposal Table load ≤ 10 kg
- LCD column dimension: 386mm(L) \times 80mm(W) \times 64.5mm(H),
- height adjustable with the help of internal lift construction. Applied for 22 inch LCD display, proposal load ≤ 8 Kg
- Worksurface height: 945 mm
- Built in power line
- Keyboard and mouse tray
- Cart dimensions: 650mm(L) x 530mm(W) x 1335(H)
- Silent medical casters



HD Video Workstation

Height adjustment range for LCD and worksurface: 360 ± 20 mm

Worksurface height: 870mm-1235mm, Lifting load ≤ 10 kg, ABS worksurface dimensions: 530mm(L) x 455mm(W)

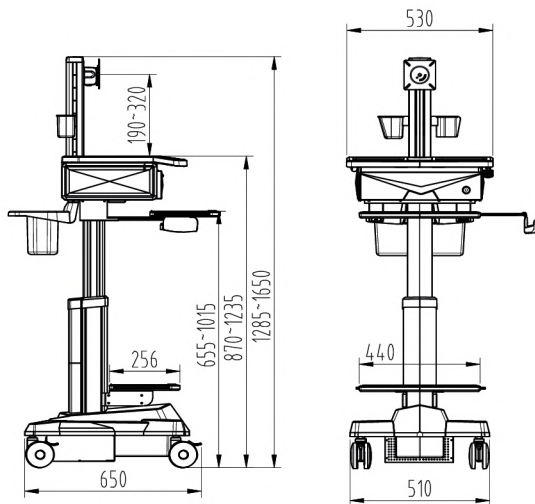
Keyboard tray dimensions: 440mm(L) x 256mm(W), Mouse tray dimension: 208mm(L) x 200mm(W)

LCD column dimensions: 386mm(L) x 80mm(W) x 64.5mm(H), Height adjustable with the help of internal lift construction. Proposal load ≤ 10 kg LCD hanger: height adjustment for LCD pivot is 13cm; 20° tilting for LCD for ergonomic comfort

Optional: Battery and UPS System, Silent medical casters

Built-in computer host specification: CPU: Intel E3 1231 V3, Mother board: Asus B85 PLUS, Memory: 8G/1600

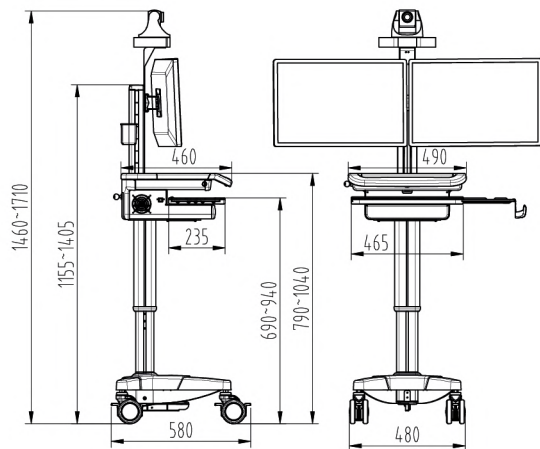
Graphics card: DDR5 2G, HD: WD 1000G/SATA, Video Capture Card



Telemedicine System Workstation

Height adjustment range for LCD and worksurface: 360 ± 20 mm
Total height is 1460mm-1710mm, Lifting load ≤ 10 kg
Worksurface height: 790-1040mm
Back storage bin with handle, handle height: 680mm-1080mm

Height adjustment range 250 ± 10 mm, loading capacity ≤ 10 Kg
Height of Tabletop: 790mm-1040mm
Applied for $2 \leq 21$ " LCD, Proposal evaluation load ≤ 12 kg
HD 360 degree rotating webcam with remote controller
Silent medical casters
Built-in computer host can be selected according to customer requirements
Video Capture Card
Optional: Battery and UPS System



Operation Room Teaching Workstation

Cabinet and multilayer design, conveniently placed operation room teaching system equipment

Cart dimensions: 490mm(L) x 460mm(W) x 2347(H)

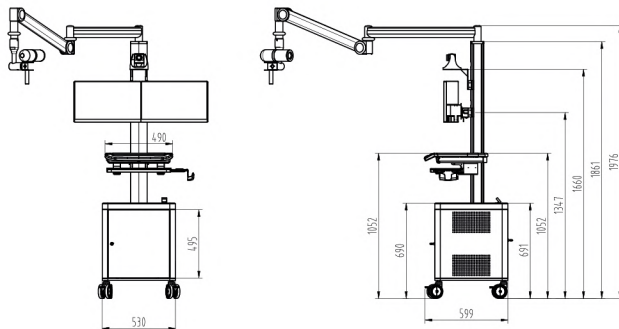
Worksurface height: 1052mm, Worksurface dimensions: 490mm(L) x 464mm(W)

Layers and layer height adjustable, Proposal load $\leq 15\text{kg/Layer}$ Universal direction long rocker arm for Camera equipment,

Proposal load 3~5Kg Long arm length range of 980mm-1750mm

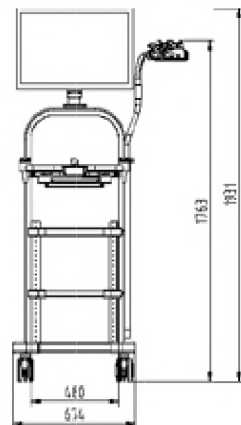
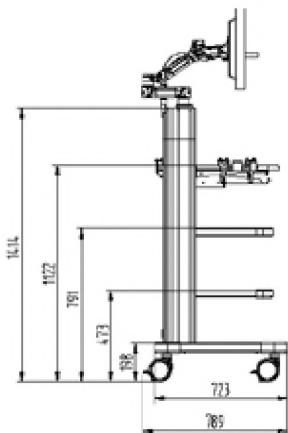
Built in power line, equipped with a 6 sets socket, safely and facilitate each layer equipment power supply

Silent medical casters



Endoscopic System Workstation

Convenient for endoscopic system device
Aluminum alloy integral moulding column, beautiful and generous on appearance, solid structure
Layers and layer height adjustable, Proposal load $\leq 20\text{kg}/\text{Layer}$
Cart dimensions: 674mm(L) x 723mm(W) x 1414mm(H) (not include Rocker arm)
Worksurface height: 1120mm
Rocker arm for display, height-adjustable, 360 rotation for LCD. optional maximum load $\leq 17.5\text{Kg}$
Silent Medical Casters of 120mm



Endoscopic System Workstation

Convenient for endoscopic system device

Layers and layer height adjustable, Proposal load $\leq 20\text{kg}/\text{Layer}$

Cart dimensions: 664mm(L) x 638mm(W) x 1650(H)

Worksurface height: 1125mm

Worksurface dimensions: 527mm(L) x 420mm(W)

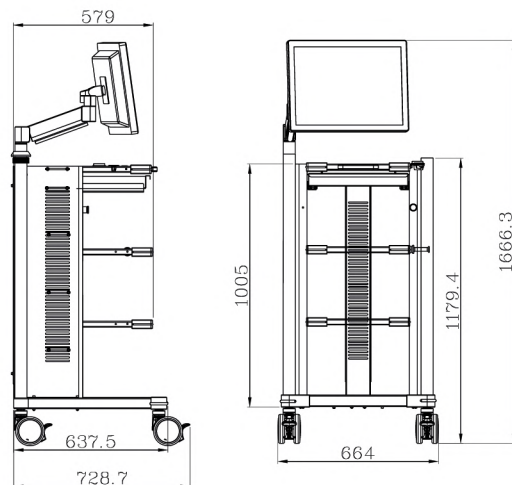
Rocker arm for display,height-adjustable,360°rotation for LCD,

Standard Load $\leq 10\text{Kg}$, optional maximum load $\leq 21\text{Kg}$

Special power wiring slot

Silent medical casters

* The front part of the drawer and the bottom plate can be customized for the screen printing logo.



New Endoscopic System Workstation

Convenient for endoscopic system device

The left and right side boards adopt cabinet mounting pillars. The side boards are

convenient for customer logo screen printing as a whole.

Layers and layer height adjustable, Proposal load $\leq 20\text{kg}/\text{Layer}$

Cart dimensions: $670\text{mm}(\text{L}) \times 645\text{mm}(\text{W}) \times 1600\text{mm}(\text{H})$

Worksurface height: 1200mm

Worksurface dimensions: $527(\text{L})\text{mm} \times 450\text{mm}(\text{W})$

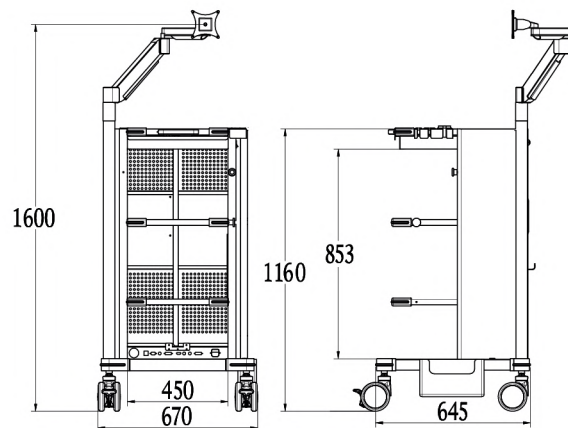
Rocker arm for display, height-adjustable, 360° rotation for LCD,

Standard Load $\leq 9\text{Kg}$, optional maximum load $\leq 21\text{Kg}$

Rear double door panel design, cable not exposed, bottom power supply wiring board design, beautiful and practical

Silent medical casters of 120mm

* Flexible endoscope bracket is an optional accessory



Small Medical Equipment Workstation

Applied for different small equipment

Equipment tray dimensions: 310mm(L) x 235mm(W)

Pipe/Wire holder arm available

Equipment tray height: 865mm, Proposal Table load ≤ 30 kg

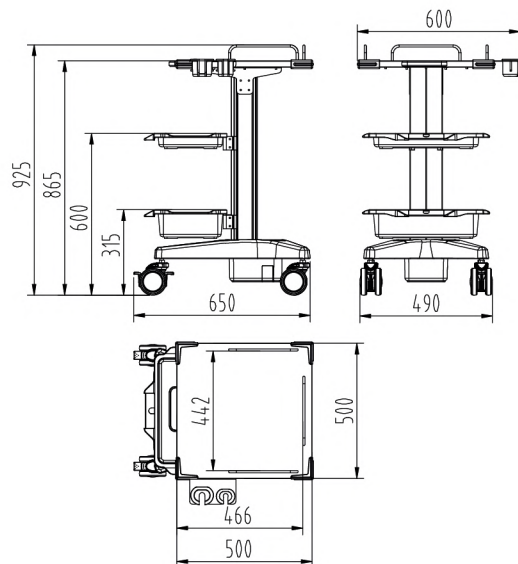
Mesh basket dimensions: 400mm(L) x 220mm(W1) / 130mm(W2) x 100mm(H)

Storage bin with handle, handle height: 929.2mm

Cart dimensions (not include equipment):

565.1mm(L) x 461.8mm(W) x 929.2mm(H)

Silent medical casters



Patient Monitor Workstation B

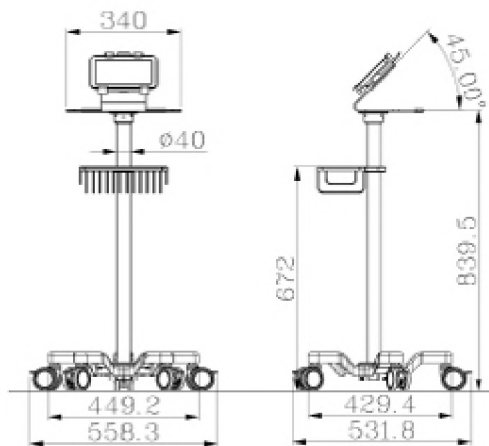
Concise, light and compact for PAD patient monitor, Proposal Table load $\leq 5\text{kg}$
The 40mm stainless steel tubular column, The top is an integrated design of the handrail and the equipment platform, easy to install and use,
The equipment mesa height: 839.5mm (Can be customized according to height or lift demand)

The basket dimensions: 280mm(L) x 130mm(W) x 100mm(H)

Five foot metal base, the rotation is flexible, stable and firm

Cart dimensions: 558.3mm(L) x 531.8mm(W) x 999.2mm(H)

4PCS of 75mm silent medical casters



Potable Plug Type Lithium Battery

Lithium battery module:

High performance lithium battery cell module provides uninterruptible power supply for all equipment.

Standard single battery capacity 24V 11.6AH

Injection Molded Battery Shell, ABS Flame Retardant

Portable plug-in design, battery pack with plug-in handle, simple and convenient

Battery pack with power switch, power indicator, USB 5V 4A output

Single battery can supply power for 5-6 hours (based on 50-60W standard).

Lithium Battery Box:

Battery Box shell use SPCC steel plate, which is durable.

Battery box built-in UPS inverter system, standard AC 220V output, standard transmission socket and output switch

Double battery pack supports uninterrupted power supply function of single plug-in, safe and reliable



Simple single battery module
L260*W230*H49 mm



Standard single battery module
L270*W190*H85 mm



Standard dual battery module
L270*W190*H130 mm



Lithium battery
L155*W130*H190 mm

Lithium Battery Applications

All In One Workstation
Nursing workstation
Electric Wheel Chair
Booster Car
Small Equipment
Monitoring Equipment
Electric Bed
Mobile Lifting Table
Other Related Electrical
Equipment



Customized Reform For Medical Workstation



1



2



3



4



5



6



7



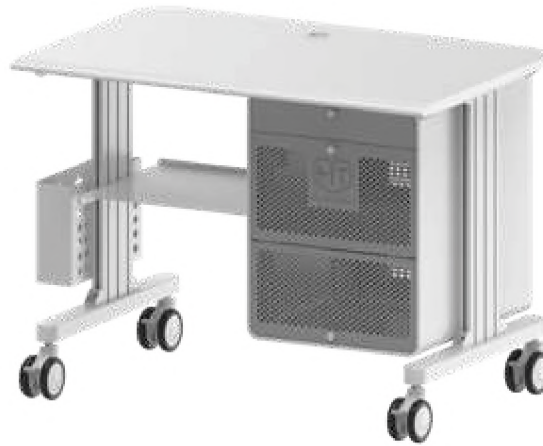
8



9



10



11



12



13



14



15



16

Cantilever Bracket Series

All aluminum structure, lifting cantilever built-in gas spring structure, each joint with position locking knob, free to choose the combination of ways, support customize



Wall Mounted Cantilever Bracket

Support monitor size:10-27inch
Hanger horizontal rotation angle:270°
Hanger up and down rotation angle:-60°-90°
Cantilever horizontal rotation angle:L-360°
Load-bearing range:0-15kg

Table Mounted Cantilever Bracket

Support monitor size:10-27inch
Hanger horizontal rotation angle:270°
Hanger up and down rotation angle:-60°-90°
Cantilever horizontal rotation angle: L/
Q-360°
Load-bearing range:0-12Kg

Pipe-clamped Cantilever Bracket

Support monitor size:10-27inch
Hanger horizontal rotation angle:270°
Hanger up and down rotation angle:-60°-90°
Cantilever horizontal rotation angle: L-240°
Load-bearing range:0-15Kg



Bed Side Interactive Support

The bedside interactive bracket help fix audio and video touch remote visitation system, which can be moved back and forth and rotated left and right to facilitate the realization of remote visitation, diagnosis and treatment, and viewing of electronic medical record data, etc.

All-in-one Computer With Battery



System	Windows7、*Windows10、*Linux
CPU	INTEL 7th i5 CPU 2.5GH 3.5GHZ
Display	28.2 inch,1080p
Color	White
GPU	Intel HD Graphics 630
Memory	8GB DDR4
Hard Disk Drive	128GB SSD
Touch Panel	10-point capacitive touch Durability greater than 1 million times touch
Wireless network card	Module AW-CB161H dual-band 2.4+5G (with Bluetooth), all-network, dual antenna support
Network card	Realtek RTL8111GN Gigabit Network Card

Antenna	Dual 3DB external reinforced antennas
Interfaces	DC power, HDMI, RJ45, VGA, COMX2, USB3.0X4, audio in/ou
Audio	Stereo output 8 ohms 3w *2, MIC
Power button	with LED light power self-locking button, support for incoming power on
Charging adapter	AC 220V input, DC 19V auxiliary output
Stand	Support standard 75.75, 100.100 VISA stand
Size	521mm(L)*328mm(W)*59mm(H)
Battery	16V19.8Ah 323Wh
Charging time	5 hour
Endurance	8-10 hours of normal working
Power display	Built-in desktop display

Optional Accessory



Dual monitor stand
736*114*66mm



Hand sanitizer
110*158mm



Printer tray/Keyboard and mouse
440*256*17.5mm
440*256*16mm
469.9*200*8mm



3 Small pockets
98*123*140mm



Optional scanner holder
301*69*86mm



Gel cup
114*69*86mm



Aluminum basket
280*135*100mm



Scanner gun holder
110*51*80mm

Optional Accessory



ABS storage tray
306*470*106mm



Storage tray
270*95*140mm



ABS storage tray
470*306*56mm



2pcs Sharps boxes
160*186mm
220*110*110mm



Inductive trash can
25*35mm



Document
352*240*102mm

Bench Support Series

Aluminum alloy column, built-in constant force spring lifting structure,
large opening solid base design Maximum tilt angle: 20°
Screen rotation angle: 90 ° vertical / horizontal
Constant force lift stroke: 13CM
Mounted display size: 17-26 inch
Load range: 3-7.5kg, 7.5-12kg, 10-16kg



Double-LD lift stand



LCD&Laptop lift stand



LCD lift Stand

**TO CREATE VALUE
TECHNOLOGY IS EVERYWHERE**

